



Fibre Optic Active

Media Converters - Dual Fibre to 1 x RJ45 - 10/100M



Dual Fibre to RJ45 Media Converters convert an ethernet to a singlemode or multimode signal to increase the transmission distance in structured cabling networks.

They are used in pairs to convert the signal, transmit over the required distance then converted back to the original signal.

Media converters are a cost-effective solution for transmission distances up to 120km.

Features & Benefits

- Built-in 2 port switch which supports flow and bandwidth control
- Full duplex utilises two fibre channels, one for transmitting and one for receiving
- Transmission distances from 550m to 120km
- Built-in RAM for data buffer
- Compliant to IEEE 802.3*, FCC and CE standards
- Available with internal or external power supply
- Up to 128Mbps data rate
- Card-type and media racks available

Technical Specifications

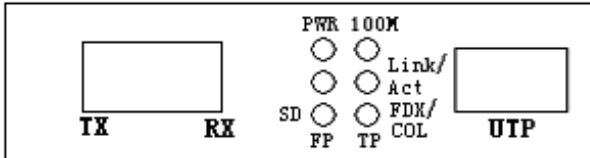
| | |
|----------------------------------|---|
| Cable | SM or MM Fibre/Twisted Pair |
| Transmission Type | 10/100M FDX |
| Wavelength (nm) | 850~1625 |
| Bandwidth | 128Mbps |
| Data Buffer | 128Kb |
| Distance | 550m~120km |
| Warranty | ≤3 years |
| Conformity | FCC, IEEE 802.3* , CE |
| Operating Temperature | 0 to +70 |
| Weight (kg) | 0.2 (External Power), 0.4 (Internal Power) |
| Dimensions (External Power) (mm) | 95(L) * 70(W) * 26(H) |
| Dimensions (Internal Power) (mm) | 140(L)* 110(W) * 30(H) |
| Power Consumption | 3.5W |
| Operating Humidity (%) | 5 - 90 |
| Power External | DC5V 2A |
| LED indicator | POWER(power supply) FX Link/ACT (fibre link/action) TX Link/ACT(RJ45 link/action) 100M, SD |
| Error Rate | < 10 ⁻⁹ |
| Transmission Distance(km) | Multi-mode Dual-fibre 2 Single-mode Dual-fibre 20/40/60/80/120 |
| (m) | Category-5 twisted pair 100 |
| Port | RJ-45 Port: Connecting with STP/UTP category 5 twisted pair Optical Port: SC ST FC |
| Conversion means | Media conversion, store-and-forward |



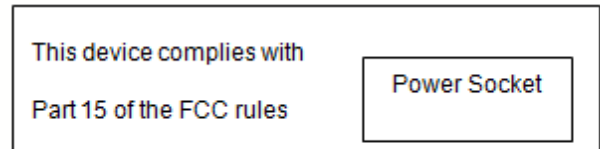
Fibre Optic Active

Media Converters - Dual Fibre to 1 x RJ45 - 10/100M

Technical drawings



Picture1.Front View



Media Converter 1
Picture2.Back View

LED Function Description

| LED indicator lamp | Status | Description |
|--------------------|--------|---|
| PWR | On | When power supply is normal |
| | Off | When power supply fail |
| 100M | On | When TP Port Link speed is 100M |
| | Off | When TP Port Link speed is 10M |
| TX Link/Act | On | Connection status display for electric link. "ON" indicates that electric link is in correct connection. |
| | Blink | Active status display of electric link "Blink" indicates data transmitting |
| FX Link/Act | On | Connection status display for fibre link "ON" indicates that electric link is in correct connection. |
| | Blink | Active status display of fibre link "Blink" indicates data transmitting |
| FDX/COL | On | Fibre port works in the full duplex mode. |
| | Off | Fibre port works in the half duplex mode. |
| SD | On | Fibre signal is detected |
| | Off | Fibre signal not detected |

Power Supplies



External power Supply



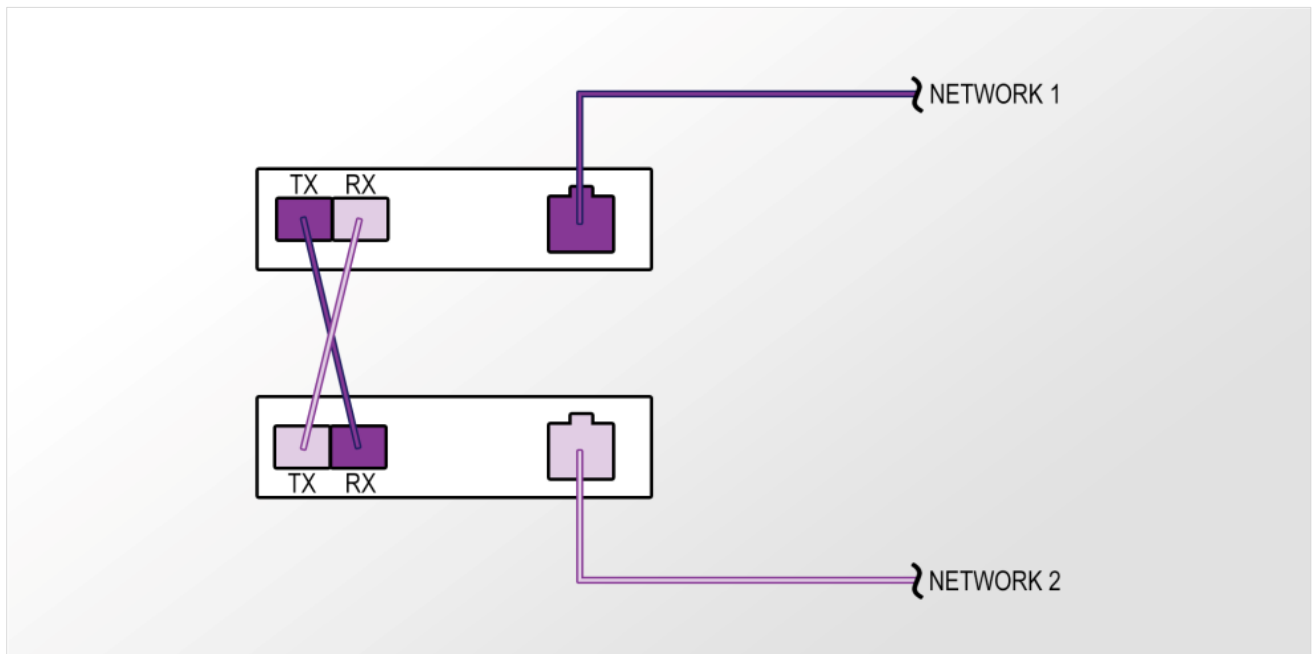
Internal power Supply



Fibre Optic Active

Media Converters - Dual Fibre to 1 x RJ45 - 10/100M

Network Structure



Ordering Information

Use the formula below to create the part number.

| Transmission Type | | Fibre Connector Type | | Distance | |
|-------------------|----|-----------------------|------|-----------------------|-----|
| 10/100M | MC | Singlemode / SC | SMSC | 550m (Multimode Only) | 550 |
| | | Singlemode / ST | SMST | 20km | 20 |
| | | Singlemode / FC | SMFC | 40km | 40 |
| | | Singlemode / LC | SMLC | 60km | 60 |
| | | Multimode / SC | MMSC | 80km | 80 |
| | | Multimode / ST | MMST | 100km | 100 |
| | | Multimode / FC | MMFC | 120km | 120 |
| | | Multimode / LC | MMLC | | |
| MC | IP | MMFC | 1R | 550 | EU |
| Power Supply | | Copper Connector Type | | Plug Type | |
| External Power | EP | Single RJ45 | 1R | UK | UK |
| Internal Power | IP | | | European | EU |
| | | | | US | US |

Example: **MCIPMMFC1R550EU** - 10/100M Multimode 550m Dual Fibre FC to Single RJ45 Media Converter with EU Internal Power Supply