



COPPER TOOLS & ACCESSORIES

RG6- CLAMP

NM- Angled Type

PRODUCT SPECIFICATIONS

N-Type connectors are designed to satisfy the need for a durable, weatherproof, medium-size RF connector with consistent performance through 11 GHz.

These connectors are used in all systems where excellent RF and mechanical performance is critical.

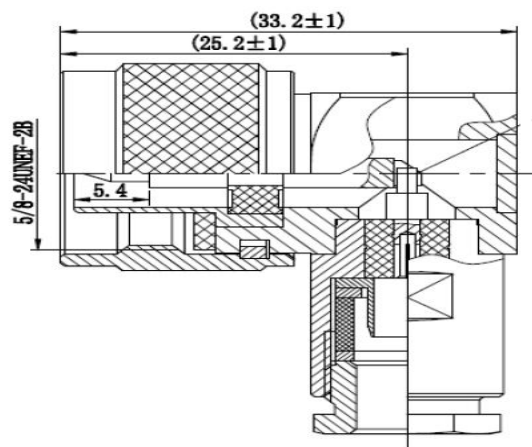


TECHNICAL SPECIFICATIONS

Centre Contact	Brass/Gold Plating
Outer Contact & Body	Brass/ Tri metal Plating
Dielectric	PTFE
Gasket	Silicon Rubber
Nut	Brass / Nickle Plating

ELECTRICAL SPECIFICATIONS

Characteristic Impedance	50 Ohms
Frequency Range	DC ~ 11GHz
Insulation Resistance	≥ 5000 MΩ
Centre Contact Resistance	≤ 1.0 mΩ
Outer Contact Resistance	≤ 0.25 mΩ
Dielectric Strength	1500V rms
Working Voltage	600V rms
Power Handling	100W / 2GHz min
Insertion Loss	≤ 0.17dB @ 3GHz
VSWR	≤ 1.2 @ DC~3GHz



ENVIRONMENTAL AND MECHANICAL SPECIFICATIONS

Durability (matings)	≥ 500 cycles
Suitable Cable	RG6
Temperature Range (°C)	-65 ~ + 165

ORDERING INFORMATION

LXMRG6NMACL - LINXCOM RG6 Clamp N Male Angled Type Connector