



## COPPER TOOLS & ACCESSORIES

# RG6

# NF-NF Type

### PRODUCT SPECIFICATIONS

N-Type connectors are designed to satisfy the need for a durable, weatherproof, medium-size RF connector with consistent performance through 11 GHz.

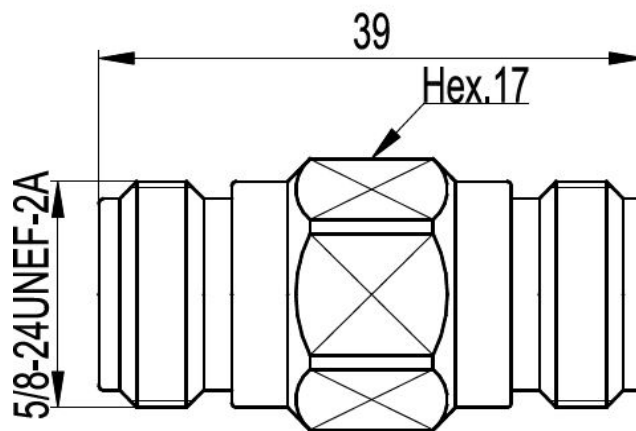
These connectors are used in all systems where excellent RF and mechanical performance is critical.

### TECHNICAL SPECIFICATIONS

Centre Contact	Brass/Silver Plating
Outer Contact & Body	Brass/ Tri metal Plating
Dielectric	PTFE

### ELECTRICAL SPECIFICATIONS

Characteristic Impedance	50 Ohms
Frequency Range	DC ~ 11GHz
Insulation Resistance	≥ 5000 MΩ
Centre Contact Resistance	≤ 1.0 mΩ
Outer Contact Resistance	≤ 0.25 mΩ
Dielectric Strength	1500V rms
Working Voltage	600V rms
Power Handling	100W / 2GHz min
Insertion Loss	≤ 0.17dB @ 3GHz
VSWR	≤ 1.08 @ 0.8-1GHz ≤ 1.10 @ 1.0-3 GHz
PIM3	≤ -155dBc



### ENVIRONMENTAL AND MECHANICAL SPECIFICATIONS

Durability (matings)	≥ 500 cycles
Temperature Range (°C)	-65 ~ + 165

### ORDERING INFORMATION

LXM RG6NFNF - LINXCOM RG6 N Female-N Female Type Connector