



CABINETS & ACCESSORIES

## Wall-Mounted Cabinet – Model P



Linxcom 19" Wall-mounted cabinets and racks are a cost-effective solution that is both aesthetically pleasing and durable. Designed to be installed in data centres, equipment rooms and office environments to mount telecommunication, data communication, security, broadcasting and other electronic equipment.

### Features & Benefits

- Suitable for patch panels
- Top and bottom knock of panel
- Sturdy for fibre and copper panel installation
- 120° Swing door
- Tempered Glass
- Welded structure
- Key locked for security
- Compatible with various 19" accessories



IP20  
Rated



0 Minute  
Assembly



1 Person  
Assembly



Available  
Ready-Built



50kgs UDL  
Capacity

Below we have our standard stock sizes for height, widths and depths, but we also offer custom-built cabinets. If you require a specification which is not specified, then contact us and we can assist you.

### Available Configurations

Capacity (U)	Height (mm)	Width (mm)	Depth (mm)	Colour
2	100	510	300	Black
3	145	510	300	Black
4	180	510	300	Black
6	280	510	300	Black



CABINETS & ACCESSORIES

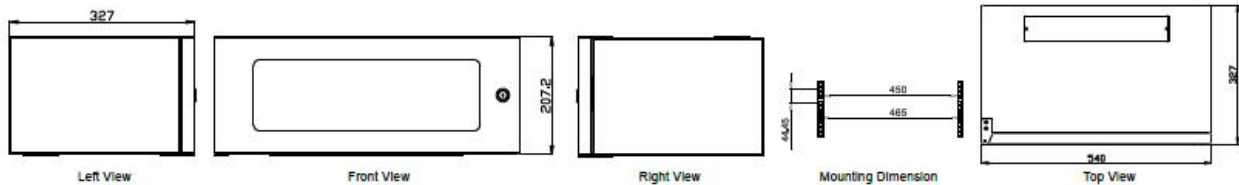
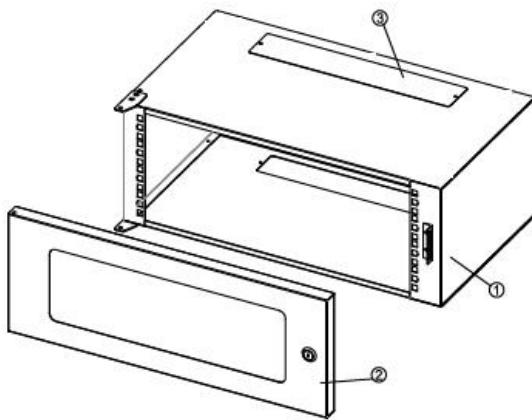
## Wall-Mounted Cabinet – Model P

### Technical Specifications

Part	Material	Surface
Top Cover	SPCC Cold-Rolled Steel 1.0mm	Powder Coated
Frame	SPCC Cold-Rolled Steel 1.0mm	Powder Coated
Front Door	Toughened Glass 5m/SPCC Cold-Rolled Steel 1.2mm	Powder Coated
Side Panel	SPCC Cold-Rolled Steel 1.0mm	Powder Coated
Rail	SPCC Cold-Rolled Steel 1.2mm	Powder Coated
Back Panel	SPCC Cold-Rolled Steel 1.2mm	Powder Coated
Bottom	SPCC Cold-Rolled Steel 1.0mm	Powder Coated

### Technical Drawings

- 1 Frame
- 2 Front Door
- 3 Cable Entry



Wall-Mounted Cabinet



CABINETS & ACCESSORIES

# Wall-Mounted Cabinet – Model P

## Ordering Information

Using the available configurations amend/create product codes using the formula below.

Lincom		Colour		Depth	
Lincom LXM		Black BLK		300mm 3	
LXM	P	BLK	5	3	06
Model		Width		U Capacity (Height)	
Model P P		510mm 5		6U (280mm) 6	
				4U (180mm) 4	
				3U (145mm) 3	
				2U (100mm) 2	

Example: **LXMPBLK5306** - Lincom Model P 6U 510\*300mm Black Wall Cabinet

For any queries, please contact the Lincom team using the details below.